



## SC28 Needle Scaler Manual



SASE Company, Inc.  
Phone 800.522.2606 or Fax 877.762.0748  
[www.SASECompany.com](http://www.SASECompany.com)





Corporate Office  
26423 79<sup>th</sup> Ave South  
Kent, WA 98032-7321  
1.800.522.2606 (P)  
1.877.762.0748 (F)  
[www.SASECompany.com](http://www.SASECompany.com)  
[sales@SASECompany.com](mailto:sales@SASECompany.com)

Congratulations on your decision to get the Power of SASE behind you! SASE is committed to excellence, excellence in the quality of products we sell and excellence in service and support after the sale. It is important to us that your business continues to succeed and grow, and we know that the right products, service and support can have a great impact on your bottom line.

SASE has made great strides in the concrete preparation and polishing industry over the years. With a 40,000 square foot distribution and service facility in Seattle, a 22,000 square foot distribution and service facility in Knoxville, and local sales and technical support representatives throughout the United States, SASE is able to provide unsurpassed service and technical support for the contractor.

At SASE we engineer and manufacture our own equipment, which allows us to be in control of the quality of the equipment we sell. SASE offers a complete line of concrete preparation and polishing equipment, our newest introduction being our new line of PDG planetary diamond grinders, which is setting a new standard for the concrete grinding and polishing industry. SASE is also the leader in diamond tooling technology.

We look forward to a long and prosperous partnership with you! Thank you again for choosing SASE. You won't regret having the Power of SASE behind your company!

Sincerely,

SASE Company, Inc.

Jim Weder

President



## **SASE Company Inc. Equipment Safety Policy Statement**

SASE Company, Inc. is adamant that safety is one of the highest priorities for both our employees and customers. When considering set-up and operation of any piece of equipment supplied, manufactured, distributed, rented or serviced by SASE Company, Inc., the safety and protection of people should always be a top priority.

All customers and employees should follow all OSHA and local safety standards, requirements and regulations.

The use of the following safety equipments are both recommended and required when operating any piece of equipment supplied, manufactured, distributed, rented or serviced by SASE Company, Inc.

- OSHA approved/certified eye protection (safety glasses).
- OSHA approved/certified hearing and ear protection.
- OSHA approved/certified foot protection (steel toed boots).
- OSHA approved/certified respirator or breathing device.
- OSHA approved head protection (hard hat).
- Proper protective work gloves.
- Proper protective clothing limiting skin exposure.

(The list is not meant to be all inclusive. Please exercise sound judgments during operation.)

The work area must always have proper ventilation to minimize the health and safety risks of propane and gasoline emissions and airborne dust.

All SASE Company Equipment is engineered, designed and provided with dust control shrouds and vacuum ports. It is strongly recommended that an approved dust containment system be connected to and used in conjunction with all SASE Company equipment during operational use. SASE Company supplies, distributes, rents and services dust control systems with HEPA filtration.

**Extreme caution must be exercised at all times when electrical power is considered. All SASE employees are prohibited from working on or hard wiring our equipments to any power source that has not been provided by SASE Company Inc. Any such work must be performed by a certified electrical technician. No SASE employee is permitted or authorized to work on, operate, or connect our equipment or equipment belonging to our customers to an electrical source that does not meet OSHA approved specifications. There are no exceptions to this policy! SASE Company, Inc. also strongly recommends that only certified electricians be permitted to deal with or manipulate electrical power sources within our customers' facilities or on their job-sites.**

Finally, we at SASE Company, Inc. cannot stress enough the importance of following general safety practices, the utilization of appropriate safety equipment and the application of common sense when operating equipment supplied, manufactured, distributed, rented or serviced by SASE Company, Inc. both on the job-site and in the field.

*(JL 07/2010)*



## Table of Contents

<b>Safety Communication .....</b>	<b>8</b>
<b>Operating Instructions .....</b>	<b>9</b>
<b>Parts for SC28 Needle Gun.....</b>	<b>10</b>
<b>Parts for Valve Assembly .....</b>	<b>12</b>

## (PPE) Personal Protection Equipment



Proper safety attire must be worn when operating this machinery. The operator must wear approved safety equipment appropriate for the job such as hard hat and safety shoes when conditions require.



Ear protection must be worn at all times when this machine is in use. During normal use, sound levels exceed 92dB.



Eye protection must be worn at all times when this machine is in use. Use only ANSI approved safety glasses to help prevent eye injury.



Operator must wear appropriate clothing and footwear. Steel toe safety shoes should be worn.

Do not wear loose clothing or jewelry that can get tangled or caught in moving parts. Keep body parts and loose clothing away from moving parts. Failure to do so could result in dismemberment or death.



# OPERATING INSTRUCTIONS

## SC 28 Needle Scaler

SASE Company Needle Scalers are heavy- duty precision tools. The following point should be observed carefully.

### 1. Operating and Handling

Best performance is obtained at an operating pressure of 85-100 psi. In order to insure consistent performance, a water separator and a pressure gauge should be fitted between the compressor and the gun.

**Important:** Do not exceed the 100 psi operating pressure; otherwise the gun will cease to work properly and may even be damaged.

### 2. Hose

The flexible hose (inside diameter 3/8") between the compressor and the unit should be as short as possible (30 feet at the most) in order to avoid pressure drop. **Important:** Always clean the hose well before connecting it.

### 3. Maintenance and Lubrication

The gun should be lubricated two or three times a day with air tool oil. Pour the oil through the connector into the gun, not into the hose

For normal greasing after use, a light coat of Molykote high performance grease.

### 4. Changing the Needles

Loosen the allen screw (fig.12), and dismantle the gun, then change the needles.

Important: the needle holders should only be fitted with the original SASE Company needles.

### Reassembly

Slide the needle holder with the anvil and spring into the front tube and assemble on the piston body. Tighten the allen screw. You may refer to the enclosed drawing.

### 5. Resharpening the Needles

The needles may wear unevenly and over time should be ground to an equal length, cooling frequently so that the special steel does not dead anneal.

### 6. General

Never run the gun unless you are applying pressure on a surface with the needles: press lightly against the job when working. When stopping work, always run the gun away and out of contact with dirt. Do not hang the gun up by the trigger. If the gun has been used for some time, pour a little kerosene in to the connector, allow the gun to function for about 20 seconds and then grease normally

Thorough cleaning after using is a must for effective operation and trouble free working.

### 7. Malfunctions

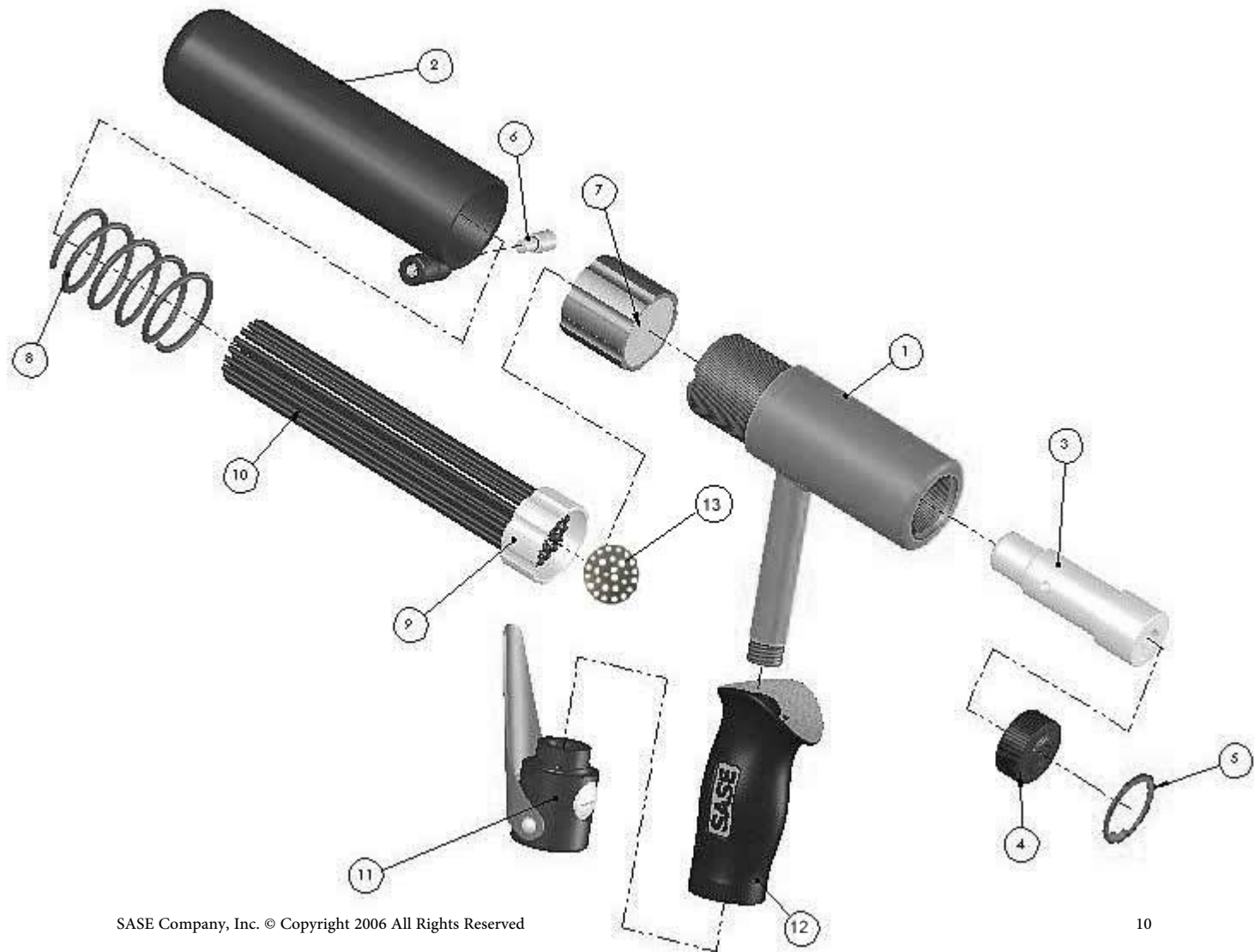
Should the gun become defective despite the above precautions, return to SASE Company, Inc.

### 8. Warranty

SASE Company needle guns are the result of many years of experience and are carefully conducted of the best materials. We therefore warrant the flawless operating of the gun, when used properly, for six months of single shift work. The warranty does not apply to wear parts and damage due to careless handling, the use of impure air, defective lubrication of the results of normal wear and tear. User is responsible for all transportation cost.

### 9. Specifications

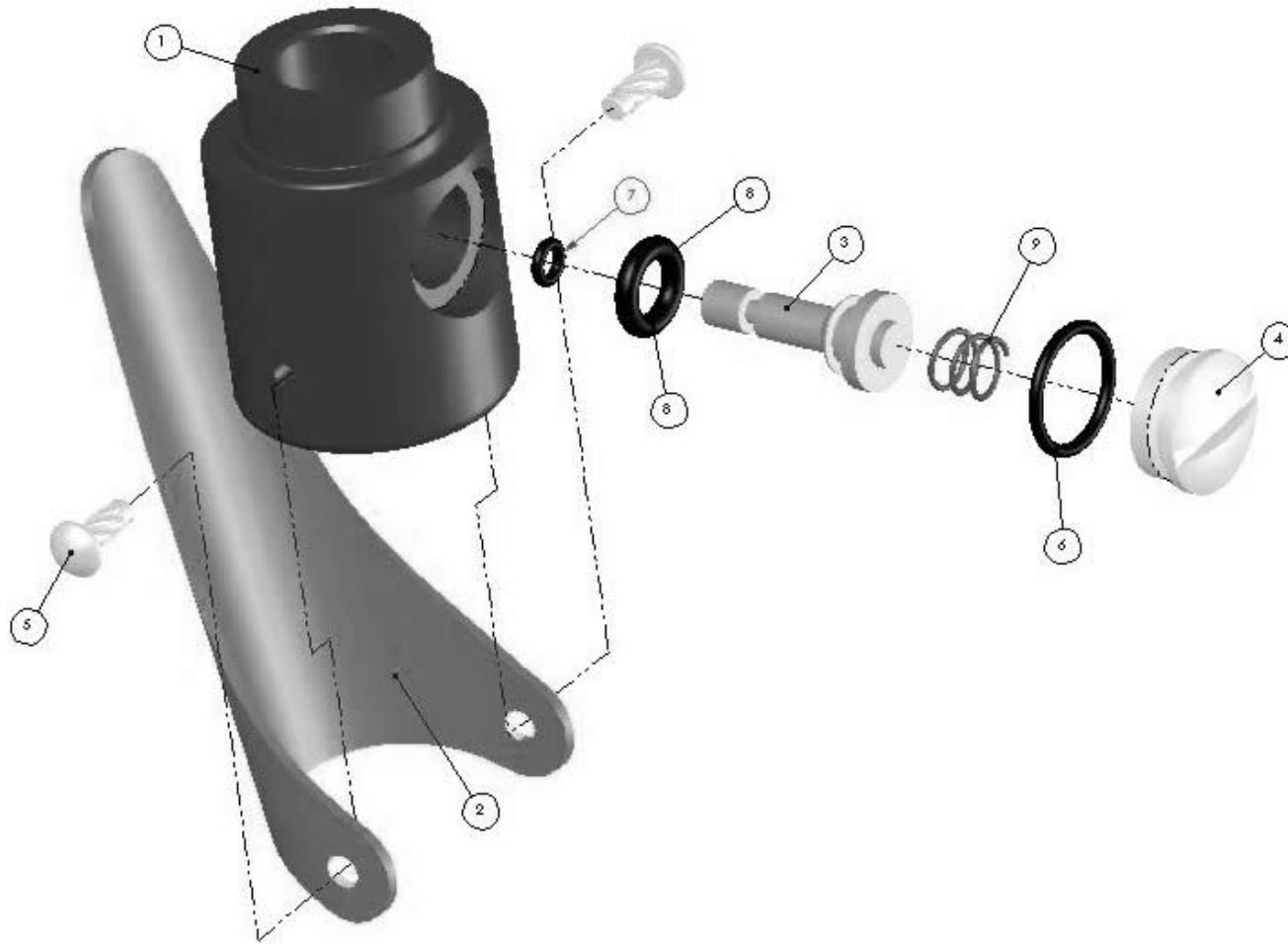
Air Consumption:	4.3 cfm
Number of strokes:	3500/min
Weight:	6.68 lbs.
Hose Connection:	3/8"
Number of Needles:	2mm: 65
	3mm: 28
	4mm: 19



**SC28 Needle Scaler 2mm/3mm/4mm****SAS.SC.28CS2 / SAS.SC.28.CS / SAS.SC.28.CS4**

Item No	Part Number	Description	Quantity
1	SAS.SC.010	BODY, PISTOL 34 B SC28	1
2	SAS.SC.011	TUBE, ROUND FRONT 34 SERIES SC28AVS SC28	1
3	SAS.SC.012	PISTON, 34 SERIES SC28AVS SC28	1
4	SAS.SC.013	COVER, SCREWED SC28	1
5	SAS.SC.014	RING, INTERNAL RETAINING M 34 X 1.5	1
6	SAS.SC.015	SCREW, SOCKET HEAD CAP 5/16-18 X 1.0	1
7	SAS.SC.016	ANVIL, 34 SERIES SC28AVS SC28	1
8	SAS.SC.017	SPRING, RETURN 34 B/ NP 34 SC28AVS SC28	1
9	SAS.SC.018	HOLDER, NEEDLE 2MM 34 SERIES SC28AVS SC28	1
9	SAS.SC.019	HOLDER, NEEDLE 3MM 34 SERIES SC28AVS SC28	1
9	SAS.SC.020	HOLDER, NEEDLE 4MM 34 SERIES SC28AVS SC28	1
10	SAS.SC.036	NEEDLES, 2MM BLUNT END 65/SET 34 B SC28*	1
10	SAS.SC.037	NEEDLES, New Style 3 MM CHISEL POINT 28/SET 34 B SC28*	1
10	SAS.SC.038	NEEDLES, New Style 4 MM CHISEL POINT 19/SET 34 B SC28*	1
11	SAS.SC.021	BODY, COMPLETE VALVE 23-45 SERIES SC28-SC49	1
12	SAS.SC.022	GRIP, RUBBER HANDLE	1
13	SAS.SC.054	PLATE, NEEDLE HOLDER SC28 28AVS	1

## Parts for Valve Assembly



<b>List of Items for Valve Assembly</b>			
<b>SAS.SC.021</b>			
<b>Number</b>	<b>Part Number</b>	<b>Description</b>	<b>Quantity</b>
1	SAS.SC.041	BODY, VALVE 23 B-45 B SC28-SC49	1
2	SAS.SC.042	LEVER, OPERATING	1
3	SAS.SC.043	STEM, VALVE SC NEEDLE SCALERS	1
4	SAS.SC.044	SCREW, VALVE	1
5	SAS.SC.045	PIN, SMALL VALVE M4.16 X 9.52	2
6	SAS.SC.046	O RING, CAP	1
7	SAS.SC.047	O RING, SMALL STEM	1
8	SAS.SC.048	O RING, LARGE STEM SC28 SC28AVS	1
9	SAS.SC.049	SPRING, VALVE	1